

# Dust Collectors



*Pulse-Jet  
Dust Collectors for  
Pneumatic Conveying  
Applications*



**WHIRL-AIR-FLOW**

---

# The Standard of the Pneumatic Conveying Industry in Dust Collectors

WhirlAir manufactures a comprehensive line of pulse jet dust collection systems specifically designed for pneumatic conveying applications. Field proven in real-world conditions, WhirlAir dust collectors provide reliable, leak resistant performance in a broad range of conditions and workload environments.

The WhirlAir line of pulse-jet dust collectors includes bin-vent, high pressure/vacuum and bag house models, all designed for ease-of-use and trouble free maintenance. WhirlAir construction standards are among the most rigid in the industry, and in this regard, you will find WhirlAir pulse-jet dust

collectors to be constructed for heavy duty service. High vacuum and ASME coded filters are designed and built for ratings up to 30" Hg and 100 PSIG.

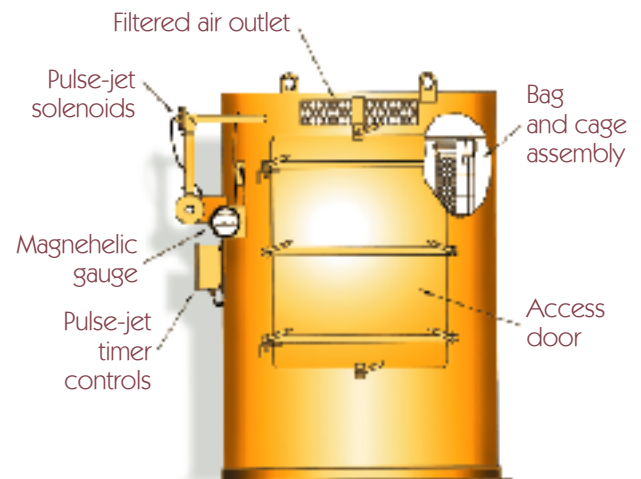
All WhirlAir dust collection systems are shipped completely assembled with bags and cages installed. The units are pre-piped and pre-wired and include bottom mounting ring, hardware and bag safety grating. All models have large flush-mounted access doors and standard "bird screens" at discharge. Design options include top bag removal, cartridges, explosion proof designs and explosion venting, access ladders and high temperature construction.



WhirlAir dust collectors feature a unique bag clamping system. Dust leakage is virtually eliminated utilizing a special gasket design, used to clamp the bag to the cup.



WhirlAir manufactures a broad range of dust collectors, including low-profile, filter/receiver combination units.



WhirlAir dust collectors are full-featured and designed to allow easy maintenance access.

---

# Bin Vent Dust Collectors

## Standard Rate for Full Vacuum and High Pressure Service

WhirlAir bin vent dust collectors provide high efficiency, ease-of-use features:

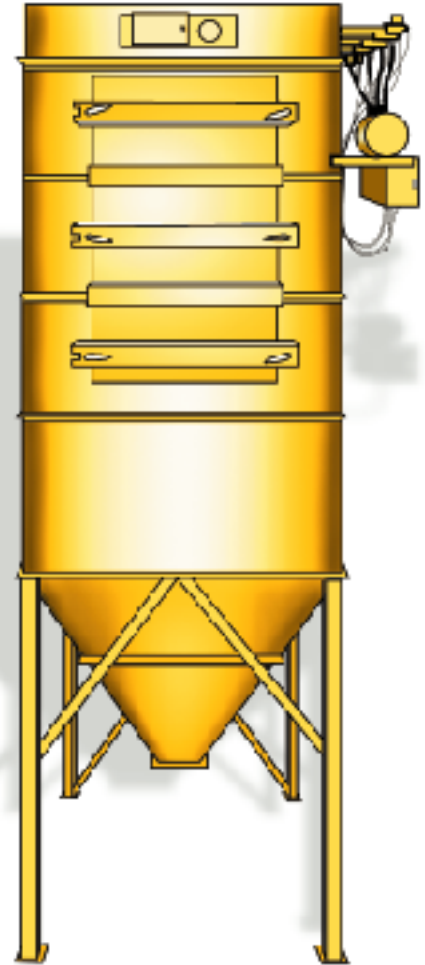
- Minimum 10 gauge mild or stainless steel construction.
- Continuous welded design.
- Bags with cages or cartridges installed at the factory.
- Large, flush-mounted access door.
- NEMA 4 pre-wired electrical with solid state timing board.
- Factory piped air controls.
- Bottom mounting ring and internal safety grating supplied standard.
- Lifting lugs and clean air vents included as standard equipment.
- Available with factory mounted exhaustor or blower.
- Available with top bag removal or cartridges.
- Pressure-rated at 14.7 PSIG and 28" Hg vacuum service in 30" and 42" diameter models.
- Pressure-rated at 14.7 PSIG and 18" Hg vacuum service in 56" and 80" diameter models.



WhirlAir Stainless Steel  
High Vacuum Design (with hopper)

Model	35-30	55-30	75-30	65-42	130-42	195-42	260-42	175-56	230-56	345-56	465-56	430-80	650-80	865-80
Overall Height Inches	31 (787)	43 (1092)	55 (1397)	36.125 (918)	60.125 (1537)	84.125 (2137)	108.125 (2746)	50.125 (1273)	62.125 (1578)	86.125 (2188)	110.125 (2797)	62.125 (1578)	86.125 (2188)	110.125 (2797)
Dia. Inches	30 (762)	30 (762)	30 (762)	42 (1067)	42 (1067)	42 (1067)	42 (1067)	56 (1422)	56 (1422)	56 (1422)	56 (1422)	80 (2032)	80 (2032)	80 (2032)
Bag Length Inches	24 (610)	36 (914)	48 (1292)	24 (610)	48 (1292)	72 (1829)	96 (2438)	36 (914)	48 (1292)	72 (1829)	96 (2438)	48 (1292)	72 (1829)	96 (2438)
Filter Area Sq. Ft.	37 (3.4)	56 (5.2)	75 (7.0)	65 (6.0)	130 (12)	195 (18.1)	260 (24.1)	175 (16.3)	230 (21.3)	345 (32.1)	465 (43.2)	430 (40.0)	650 (60.14)	865 (80.4)
Bag Quantity	12	12	12	21	21	21	21	37	37	37	37	69	69	69
Weight lbs.	350 (159)	400 (181)	450 (204)	630 (286)	790 (358)	950 (431)	1210 (549)	1195 (542)	1300 (590)	1515 (687)	1730 (785)	3140 (1424)	3550 (1610)	3730 (1692)

# Baghouse Dust Collectors For Large Air Volume Low Pressure Applications



WhirlAir baghouse dust collection system features:

- Minimum 7 gauge mild or stainless steel construction.
- Continuous welded design.
- Bags with factory installed cages.
- Large, flush-mounted access door.
- NEMA 4 pre-wired electrical with solid state timing board.
- Factory piped air controls.
- Bottom cone hopper and internal safety grating supplied standard.
- Lifting lugs and clean air vents with bird screen supplied as standard equipment.
- Available with factory mounted exhaustor or blower.
- Available with top bag removal or cartridges.
- Rated at 20" H<sub>2</sub>O (WC) both vacuum and pressure.

Model	60BH-565	60BH-750	80BH-750	80BH-1000	100BH-940	100BH-1250
Overall Height - Inches	17'2" (5232)	19'2" (5842)	17'2" (5232)	19'2" (5842)	17'2" (5232)	19'2" (5842)
Width/Length	4'0" / 6'4" (1219) / (1930)	4'0" / 6'4" (1219) / (1930)	5'2" / 6'4" (1575) / (1930)	5'2" / 6'4" (1575) / (1930)	6'4" / 6'4" (1930) / (1930)	6'4" / 6'4" (1930) / (1930)
Bag Length - Inches	72" (1829)	96" (2438)	72" (1829)	96" (2438)	72" (1829)	96" (2438)
Cloth Area - Sq. Ft.	565 (52.5)	750 (69.7)	750 (69.7)	1000 (92.9)	940 (87.4)	1250 (116.2)
Bag Quantity	60	60	80	80	100	100

Collector height shown for 60 degree hopper in chart above. Dimensions shown in parentheses throughout this bulletin represent mm and m<sup>2</sup>.



For more information contact:

**Air Process Systems & Conveyors Co., Inc.**

774 Burr Oak Drive

Westmont, IL 60559

Tel: 630.887.0700 • 800.822.0771 • Fax: 630.887.0771

Web: [www.AirProcessSystems.com](http://www.AirProcessSystems.com) • Email: [Sales@AirProcessSystems.com](mailto:Sales@AirProcessSystems.com)